

# Eco differential pressure gauge Model A2G-05

WIKA Datasheet A2G-05

air2guide

## Applications

- For dry, clean, non-aggressive gases, air
- Monitoring of blowers and ventilators
- Filter monitoring via differential pressure
- Positive overpressure in clean rooms
- Positive and negative pressure in isolation chambers
- Ideally for installations with space limitations

## Special Features

- Zero adjustment in front
- Simple mounting and removal
- Compact construction with a short case depth



Eco differential pressure gauge model A2G-05

## Standard Features

### Design

Per EN 837-3 and HVAC regulations

### Nominal size in inches

4 1/2"

### Accuracy

± 3.0 % of full span

± 5.0 % of full span ranges < 0.5 InWC

### Ranges

0 / 0.2 InWC, up to 0 / 50 InWC

### Compound ranges

Starting from -0.1 / +0.1 InWC, up to -6 / +6 InWC

### Pressure units

InWC (standard)

Other available units: kPa, Pa, mmWC, cmWC, mmHg

### Pressure limitations

Steady: full-scale value

Fluctuating: full-scale value

### Overpressure safety

80 InWC

### Maximum working pressure (static pressure)

80 InWC

### Temperature limitations

Ambient: -22 °F...176 °F

Media: 3 °F...122 °F

### Temperature effect

When the temperature on the measuring system deviates from the reference temperature (+68 °F):

Max. ± 0.5 % / 18 °F of full-scale value

### Ingress protection

NEMA 3 (IP 54 per EN 60529 / IEC 529)

## Standard version

### Process connection

Plastic, back-mounted

Two molded universal hose barb fittings, angled  
For 1/8" / 3/16" or 1/4" hose ID

### Separating diaphragm

Silicone rubber

### Movement

Frictionless magnetic transmission

### Dial

Aluminum white, scale of 90°

### Pointer

Black plastic

### Mounting ring

Plastic, including 3 mounting screws

### Window

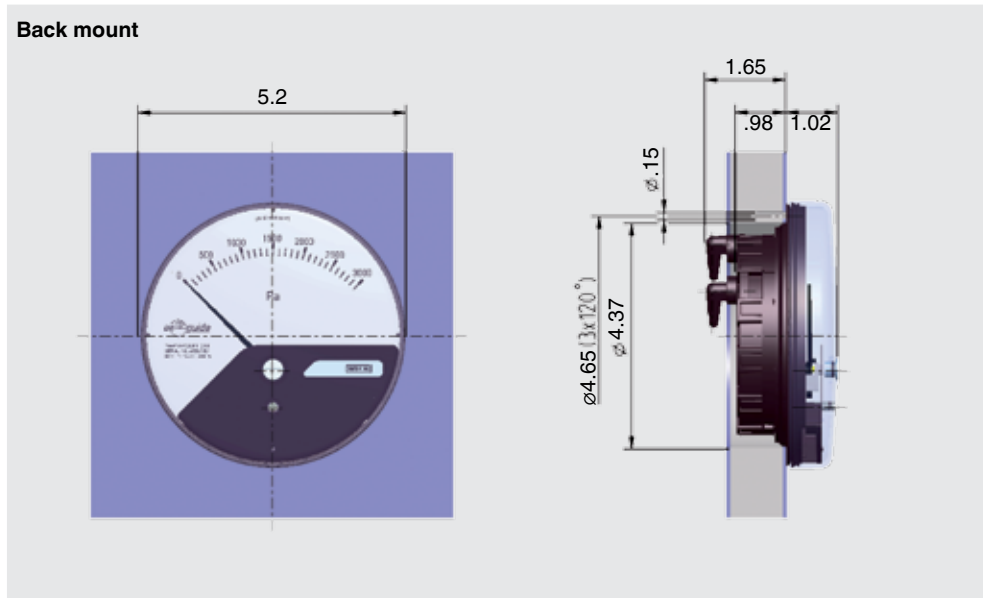
Polycarbonate, UV stabilized

## Options

- NEMA 4 (IP 65) ingress protection
- Red mark pointer
- Internationally recognized traceable calibration certificates

## Dimensions in inches

### Standard version



## Ordering information

Model / Scale range / Options



**WIKA Instrument Corporation**  
1000 Wiegand Boulevard  
Lawrenceville, GA 30043-5868  
Tel: 888-WIKA-USA • 770-513-8200  
Fax: 770-338-5118  
E-Mail: [info@wika.com](mailto:info@wika.com)  
[www.wika.com](http://www.wika.com)